

## 3. Disassembly and Reassembly

---

### 3-1 General Precautions on Disassembly

---

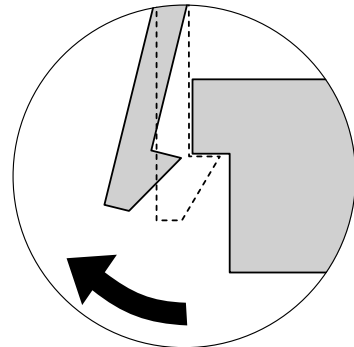
When you disassemble and reassemble components, you must use extreme caution. The close proximity of cables to moving parts makes proper routing a must. If components are removed, any cables disturbed by the procedure must be restored as close as possible to their original positions. Before removing any component from the machine, note the cable routing that will be affected.

**Whenever servicing the machine, you must perform as follows:**

1. Remove the paper cassette(s), and the print cartridge. Do not expose the cartridge to direct room light or sun light, and be careful not to scratch the drum surface.
2. Turn the power switch off.
3. Unplug all the cables from the printer.
4. Replace with only an authorized component.
5. Do not force to open or fasten a plastic material component.
6. Be careful no obstacles are included when you reassemble components.
7. When you reassemble components, be careful small size components are located in place.
8. If you turn the machine over to replace some parts, toner or paper particles may contaminate the LSU window. Protect the LSU window with clean paper.

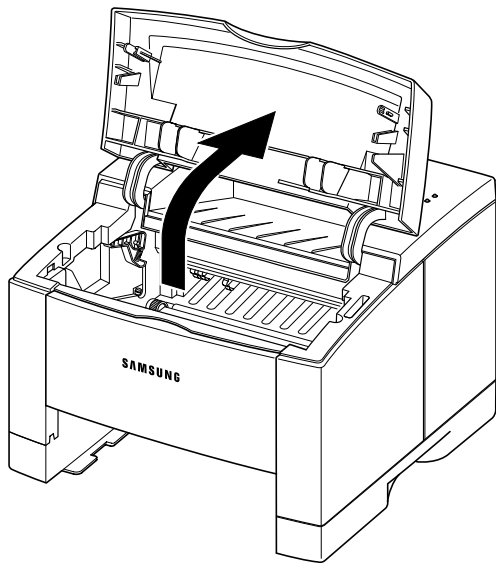
### Releasing Plastic Latches

Many of the parts are held in place with plastic latches. The latches break easily; release them carefully. To remove such parts, press the hook end of the latch away from the part to which it is latched.

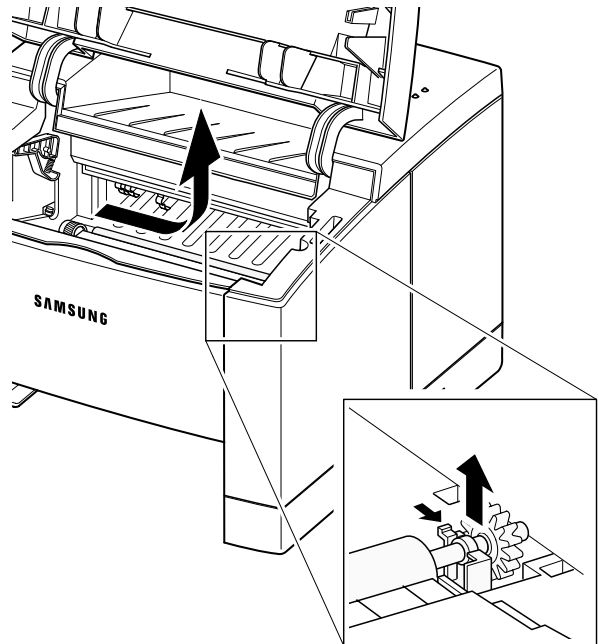


## 3-2 Transfer Roller

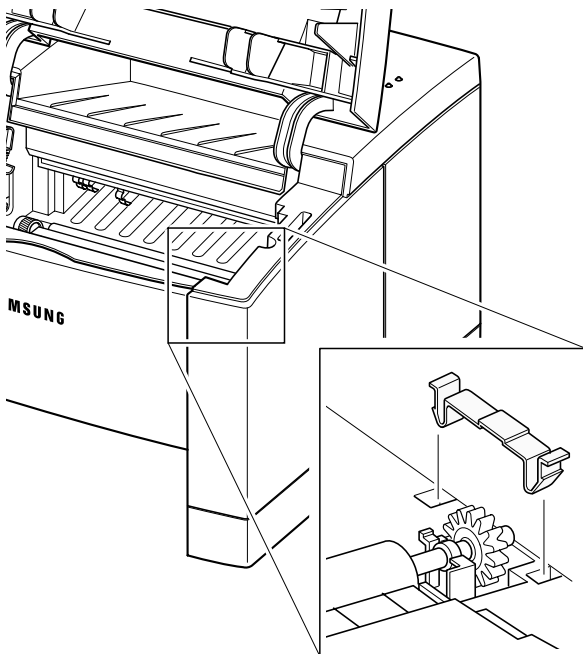
1. Open the printer cover.



3. Hold the cap at the both end of the roller, then remove the roller.



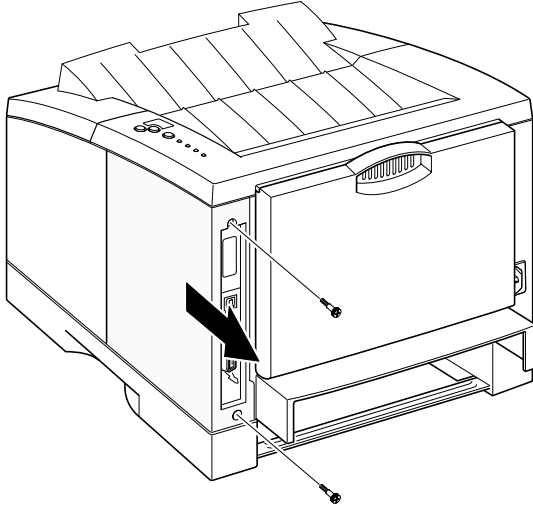
2. Remove the cap.



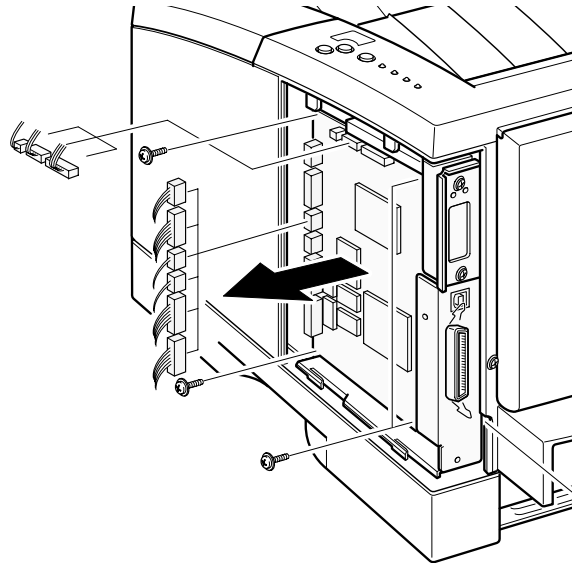
### 3-3 Controller Board

---

1. Remove two screws and remove the controller cover.

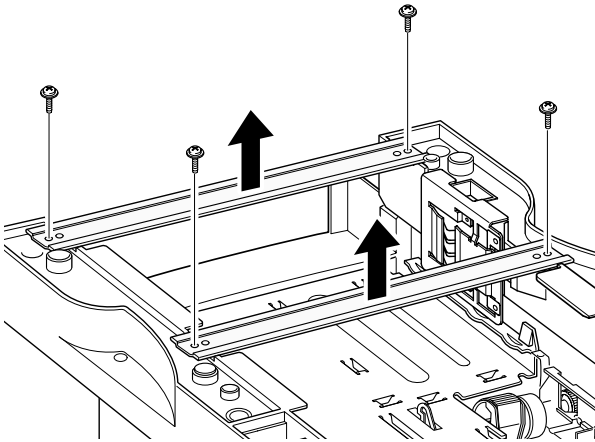


2. Remove five screws securing the board and unplug all connectors, and then take the controller board out of the printer.

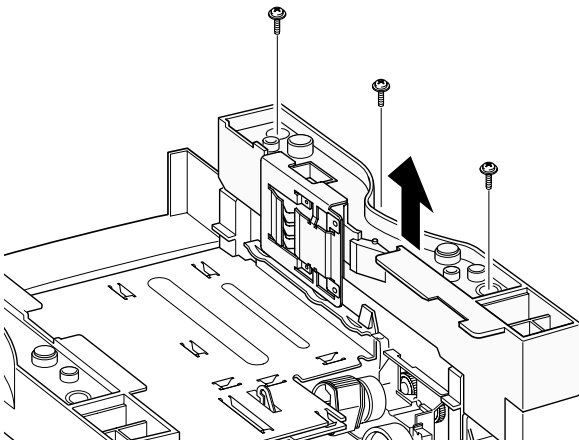


### 3-4 Pickup Assembly

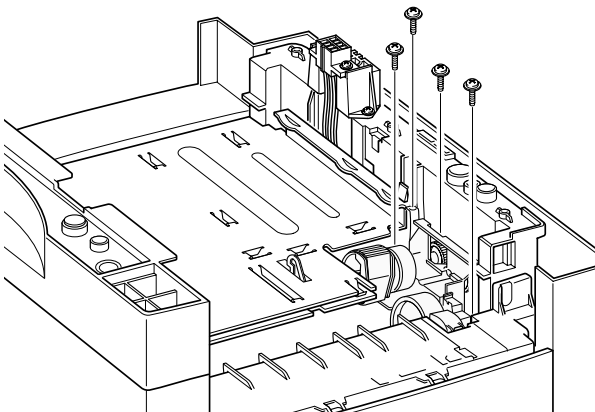
1. Turn the printer upside down. Remove four screws, then remove the bar cross bottom.



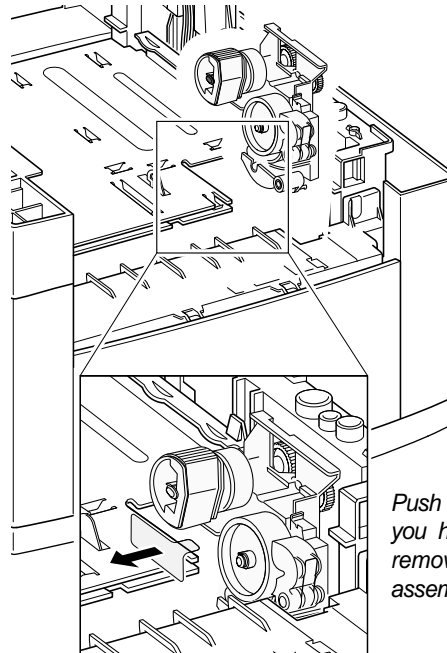
2. Remove three screws from the left base bracket, and take the bracket out.



3. Remove four screws securing the pickup assembly.

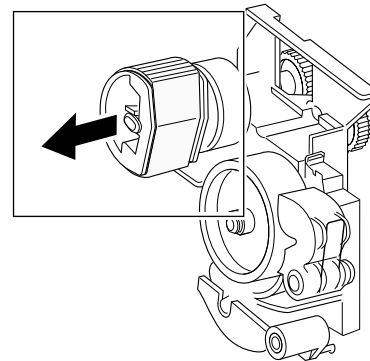


4. Take the assembly out.

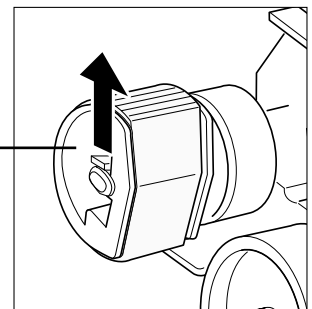


*Push the solenoid if you have difficulty to remove the pickup assembly.*

5. Check the pickup rubber wear. If the rubber is heavily worn, replace it with a new one.

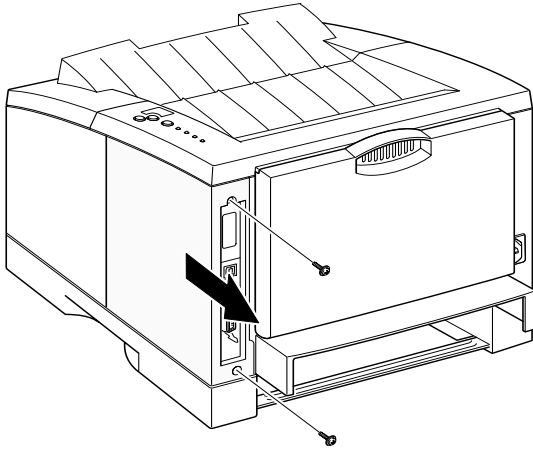


*Squeeze this tab to remove the rubber.*

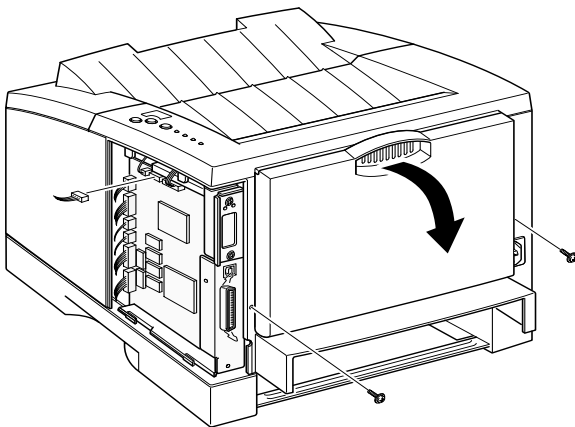


### 3-5 Main Cover

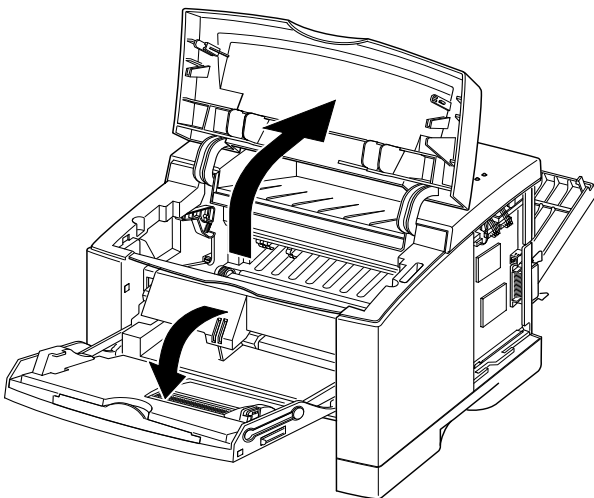
1. Remove two screws and remove the controller cover.



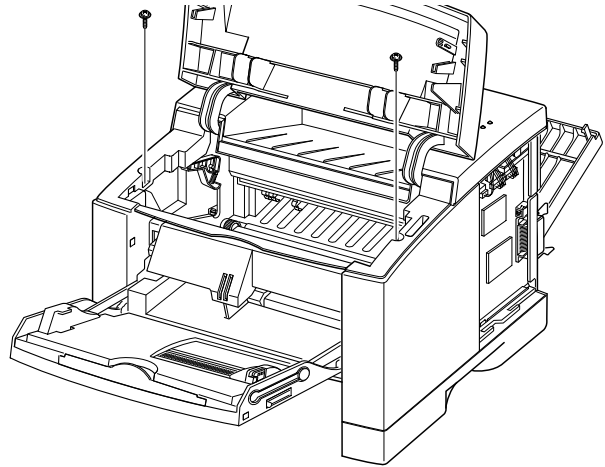
2. Remove two screws at the back of the printer and unplug one connector from the board, then open the rear cover.



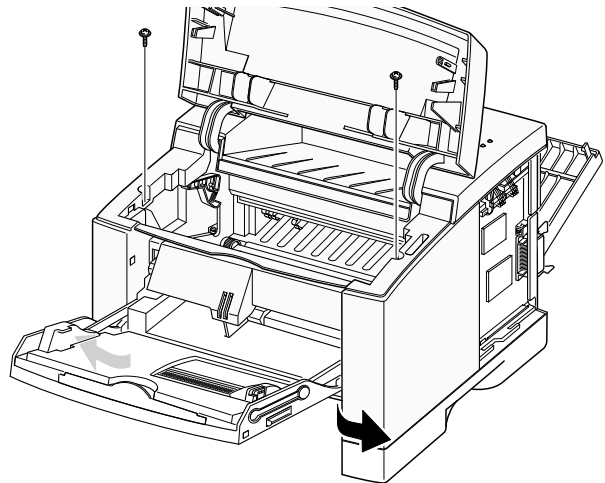
3. Open the printer cover, and open the MP tray.



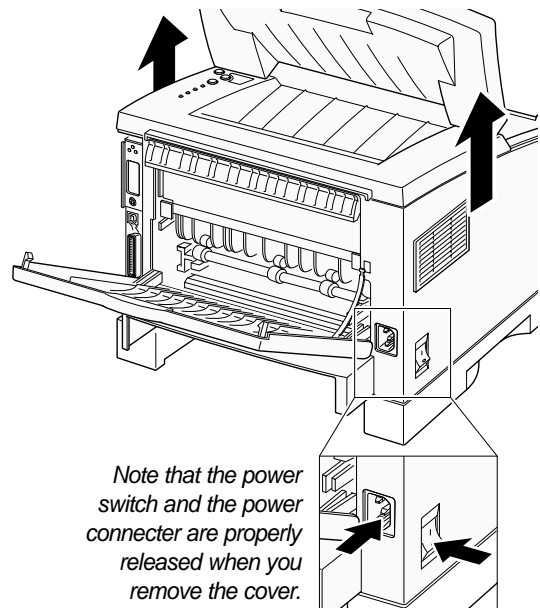
4. Remove two screws securing the main cover.



5. Unlatch the front ends of the cover.



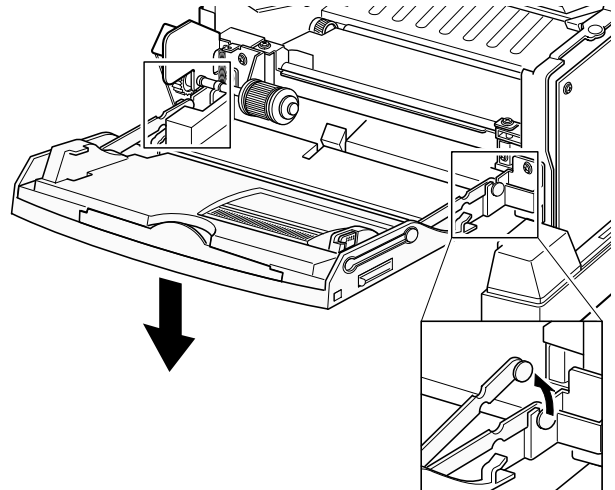
6. Slide the main cover upward, out of the printer.



*Note that the power switch and the power connector are properly released when you remove the cover.*

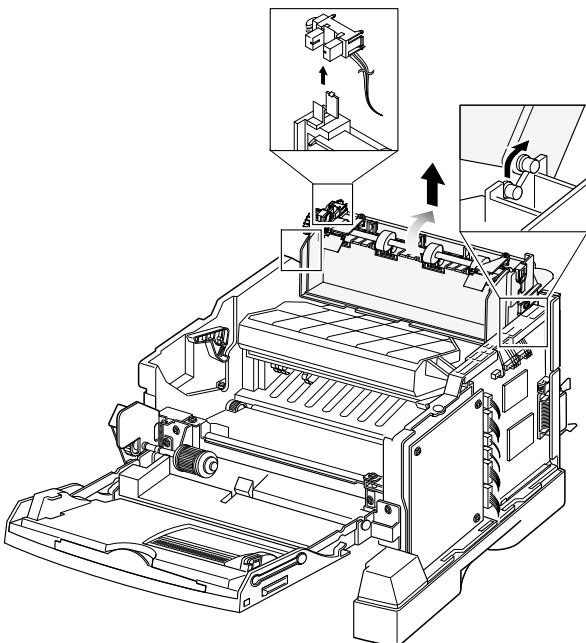
### 3-6 MP (Multi-Purpose) Tray

1. Before you remove the MP tray, you should remove:
  - Main Cover (see page 3-5)
2. Remove the stoppers securing the MP tray.

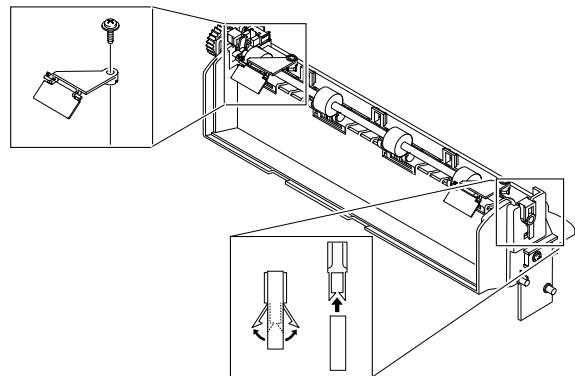


### 3-7 Exit Assembly

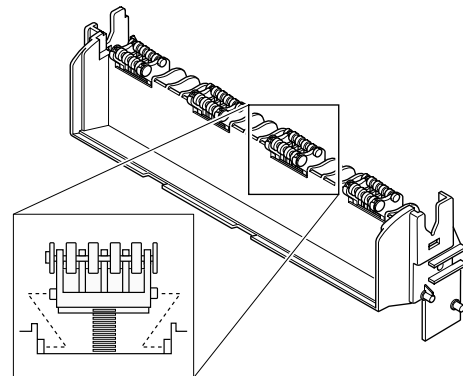
1. Before you remove the exit assembly, you should remove:
  - Main Cover (see page 3-5)
2. Remove the exit tray in the direction of arrow.



3. If you want to remove the roller shaft, unlatch both ends of the shaft and take it out.



4. If you want to remove the exit roller, squeeze the bottom of the roller and take it out.



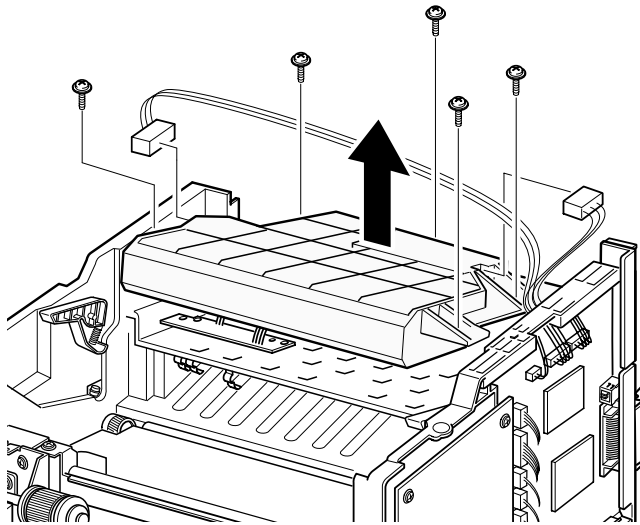
### 3-8 LSU

---

1. Before you remove the LSU, you should remove:

- Main Cover (see page 3-5)
- Exit assembly (see page 3-7)

2. Remove five screws, and remove the LSU. Then unplug two connectors from the LSU.



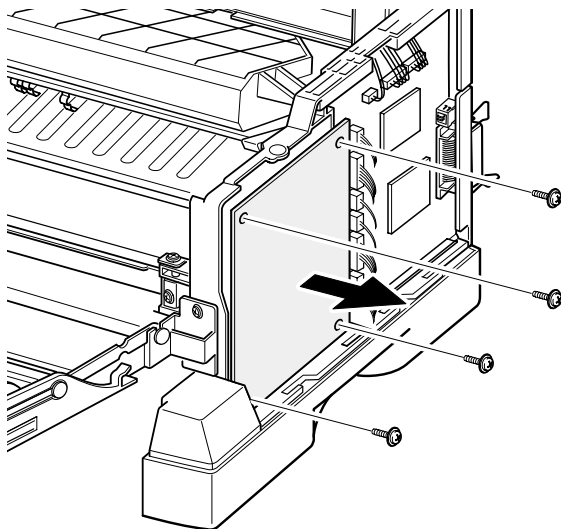
### 3-9 HVPS board

---

1. Before you remove the HVPS board, you should remove:

- Main Cover (see page 3-5)

2. Remove four screws and take the HVPS board out.



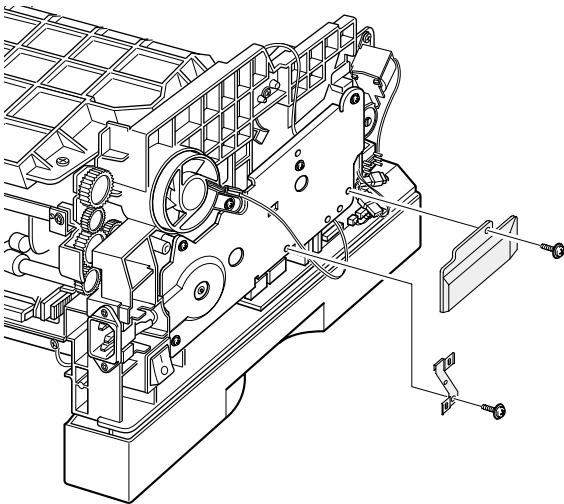
### 3-10 Fan

---

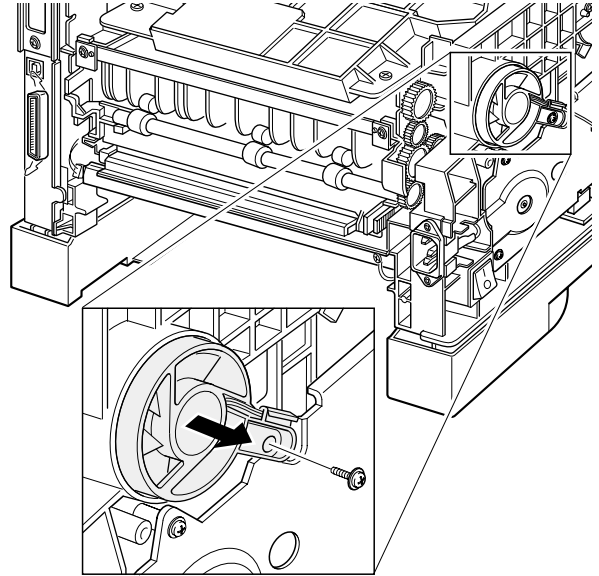
1. Before you remove the fan, you should remove:

-Main Cover (see page 3-5)

2. Remove two screws securing the connector cover and harness bracket from the gear bracket.



3. Remove one screw, and remove the fan. Then unplug one connector.



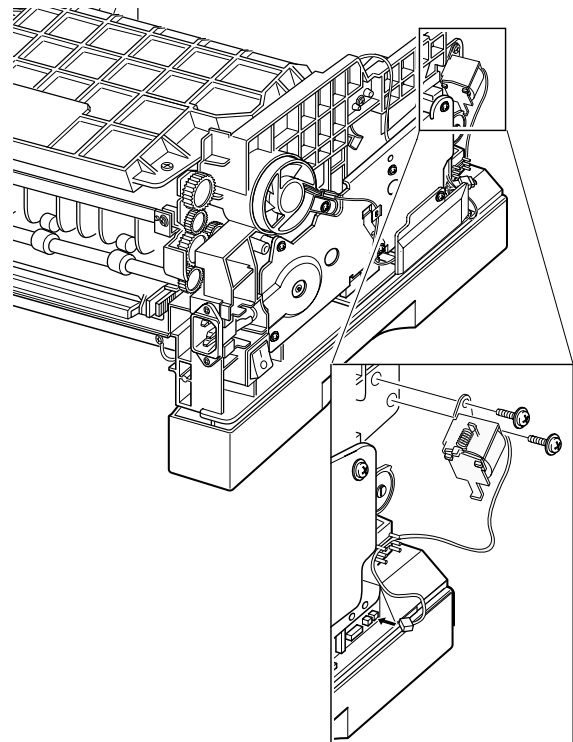
### 3-11 Solenoid

---

1. Before you remove the solenoid, you should remove:

-Main Cover (see page 3-5)

2. Remove two screws, and remove the solenoid. Then unplug one connector.



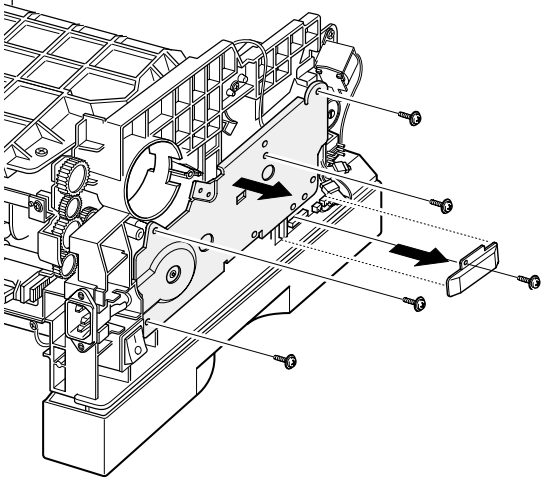


## 3-12 Drive Assembly

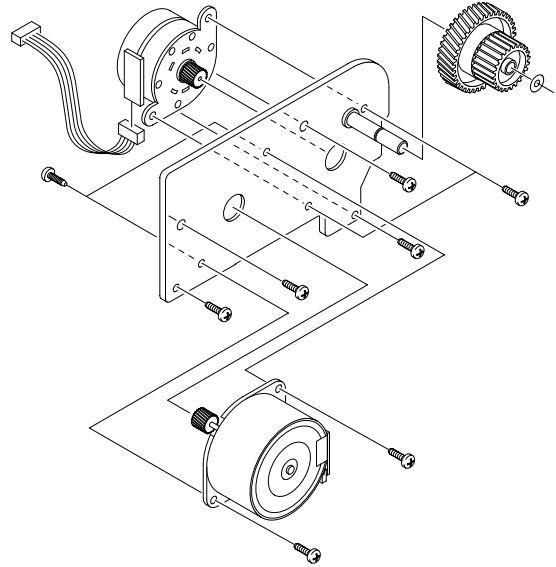
1. Before you remove the drive assembly, you should remove:

- Main Cover (see page 3-5)
- Fan (see page 3-9)

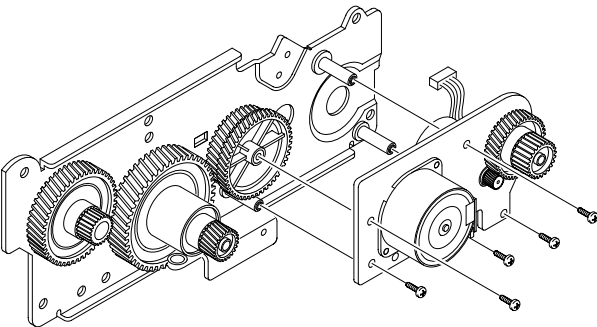
2. Remove four screws securing the drive assembly from the gear bracket and unplug one connector from the motor, and then take the drive assembly out.



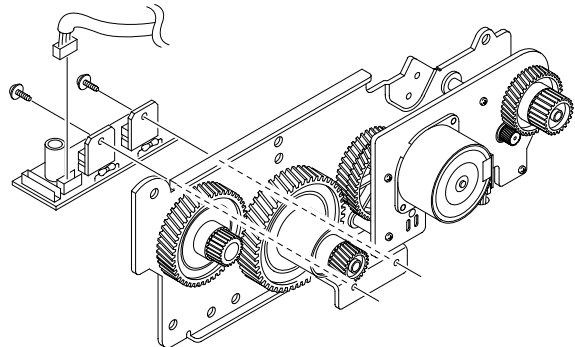
4. If you want to remove the step motor, remove four screws securing the step motor from the motor bracket and unplug two connector from the motor.



3. If you want to remove the motor assembly from the drive assembly, remove five screws securing the motor assembly to the gear bracket.



5. If you want to remove the motor joint PCB, remove two screws securing the motor joint PCB from the gear bracket and unplug one connector from the motor joint PCB.

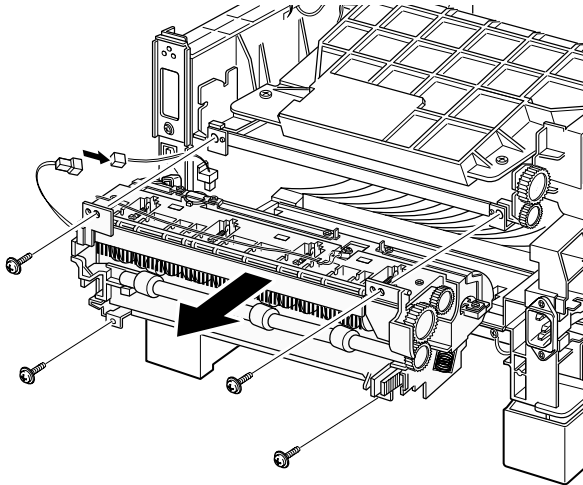


### 3-13 Fuser Assembly

1. Before you remove the fuser, you should remove:

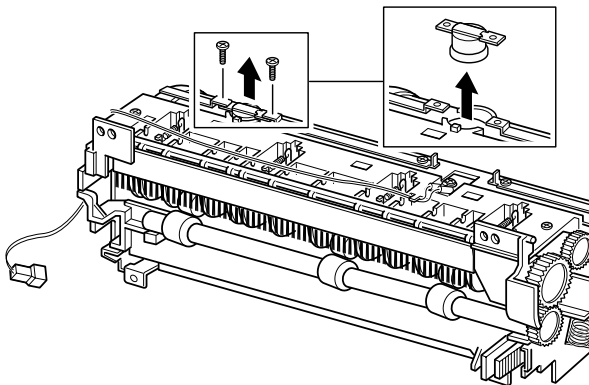
-Main Cover (see page 3-5)

2. Remove four screws and unplug one connector, and then remove the fuser assembly.



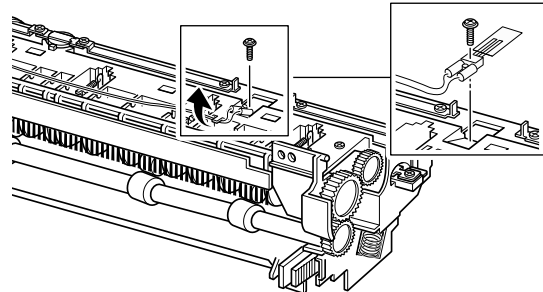
◆ To remove the thermostat from the fuser assembly

Remove two screws and take the thermostat out.



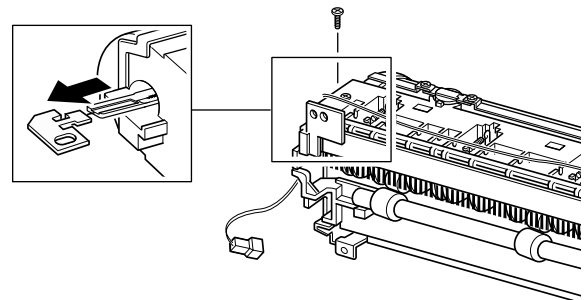
◆ To remove the thermistor from the fuser assembly :

Remove one screw, and release the wire from the three holders, and then take the thermistor out.

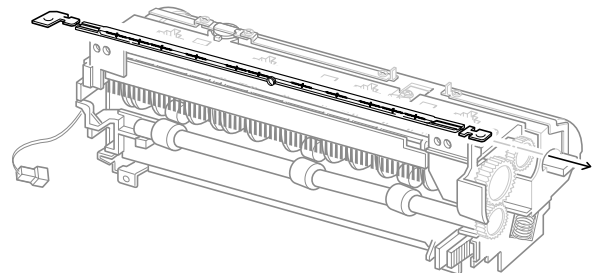


◆ To remove the halogen lamp from the fuser assembly :

Remove two screws and take the halogen lamp out of the fuser assembly.



**Note** When you reassemble the halogen lamp, make sure that it is inserted into the slot properly.

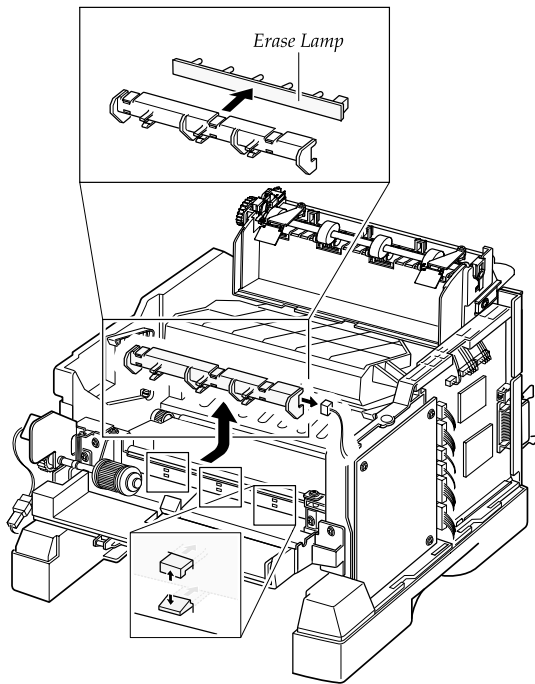


### 3-14 Guide Feed & Erase Lamp

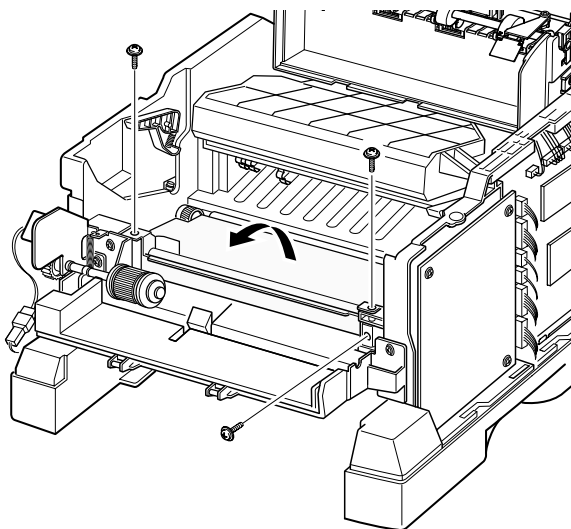
1. Before you remove the guide feed & PTL, you should remove:

-Main Cover (see page 3-5)

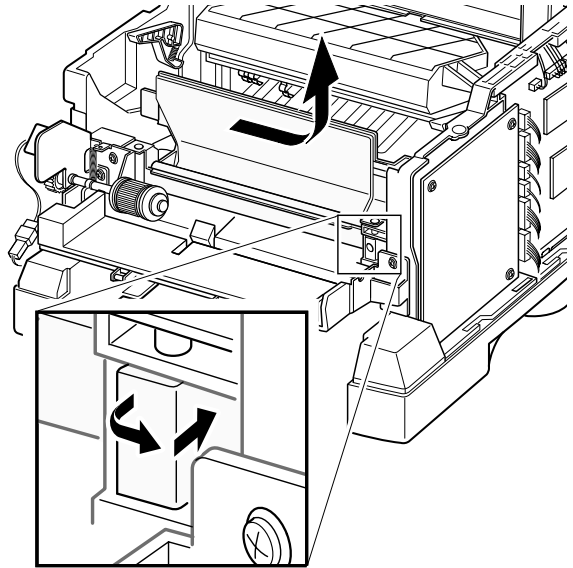
2. Release the latches on the erase lamp from the MPF ASS'Y and unplug one connector, then remove the PTL.



3. Remove three screws and raise the guide feed in the direction of arrow.



4. Remove the guide feed & erase PTL.

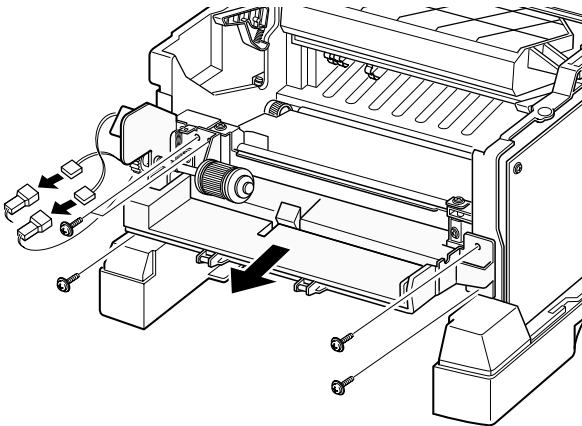


### 3-15 MPF Assembly and Miscellaneous on MPF Assembly

1. Before you remove the MPF assembly, you should remove:

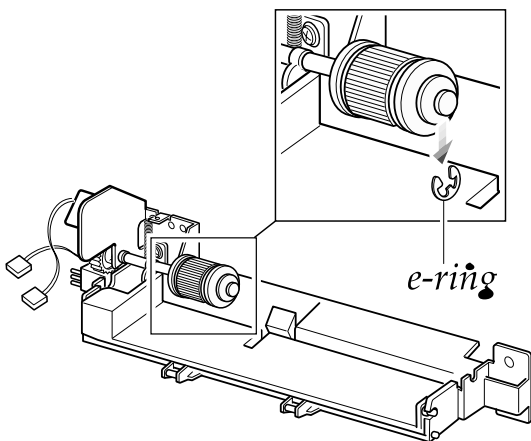
-Main Cover (see page 3-5)

2. Unplug two connectors and remove five screws, and then take the MPF assembly out.

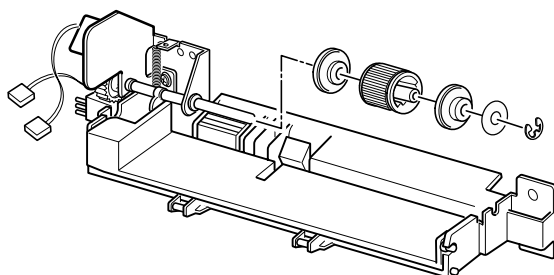


#### ◆ To replace the nockup plate :

1. Remove the e-ring.

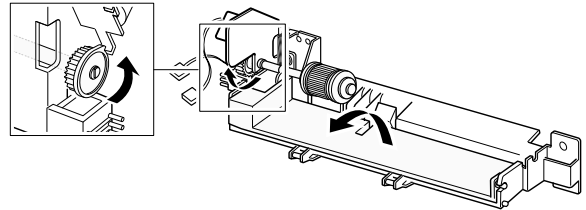


2. Remove the roller.

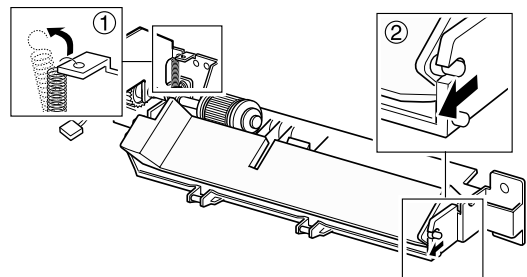


#### ◆ To replace the nockup plate :

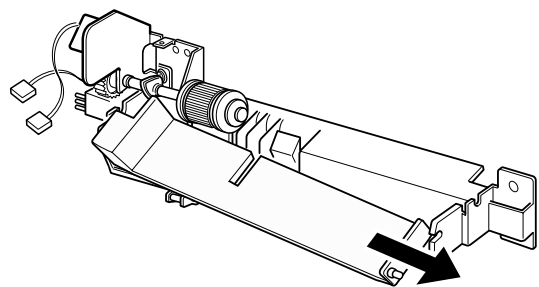
1. Turn the gear shown in the square in the direction of arrow to release the nockup plate.



2. Remove the spring , then release the right end of the plate.

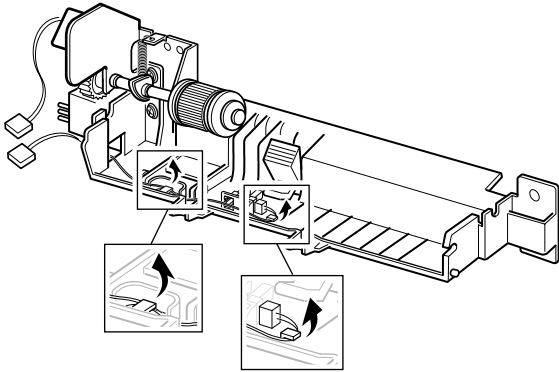


3. Remove the nockup plate.

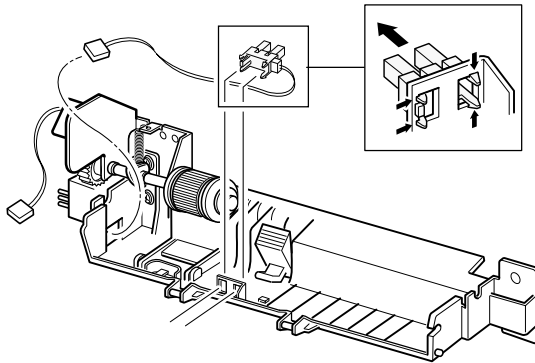


◆ To replace the Paper Empty (PE) sensor :

1. Release the wire from the two holders.

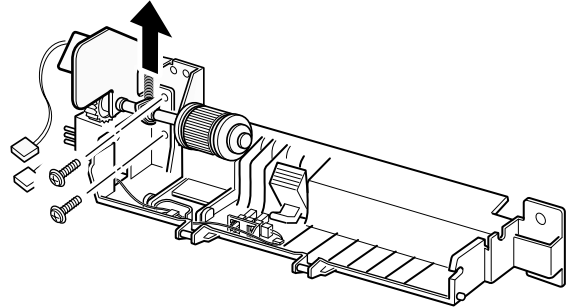


2. Raise the pickup holder in the direction of arrow.

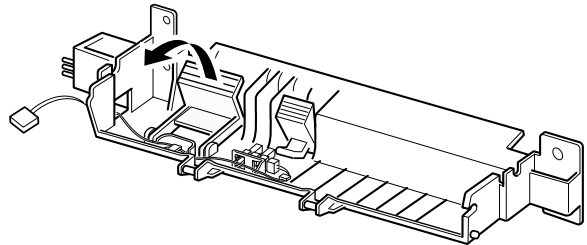


◆ To replace the pickup holder and the Adjust End MP:

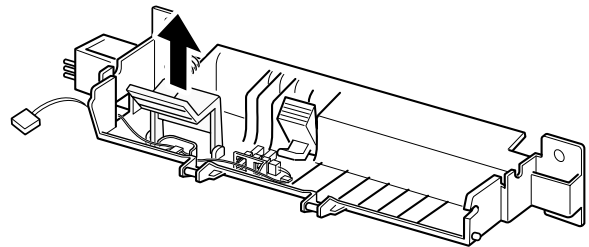
1. Remove two screws and remove the MPT bracket.



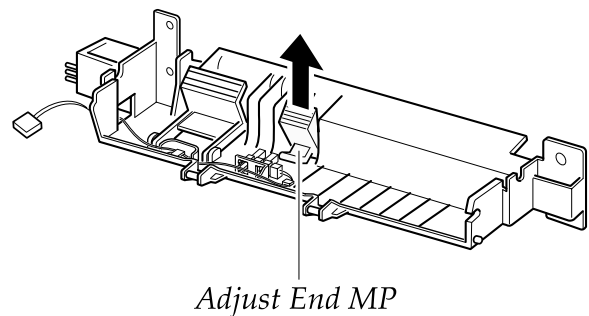
2. Unlatch the PE sensor, then take it out.



3. Remove the pickup holder.



4. Remove the Adjust End MP

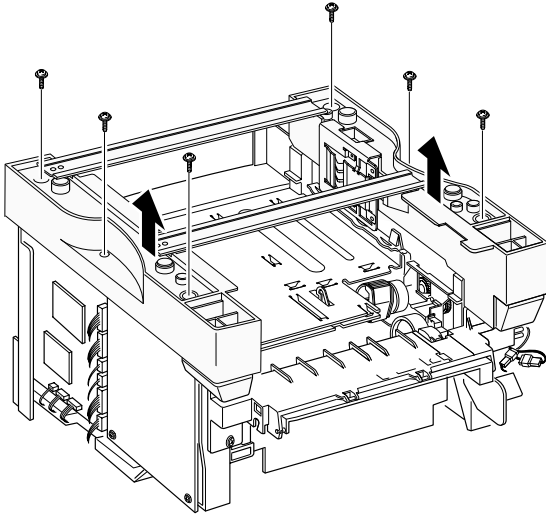


### 3-16 Engine Board and Miscellaneous

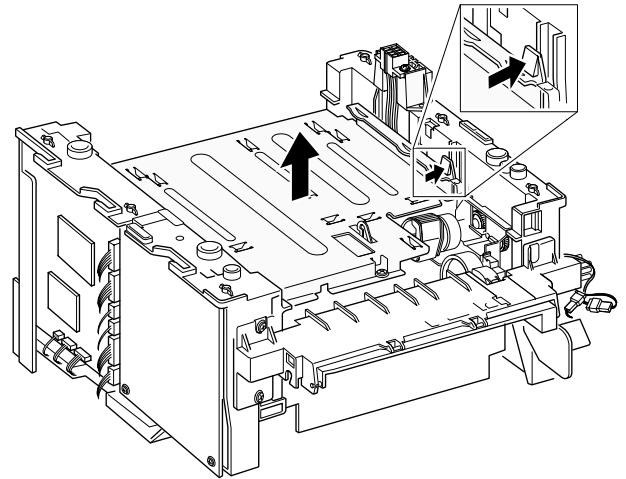
1. Before you remove the engine board, you should remove:

-Main Cover (see page 3-5)

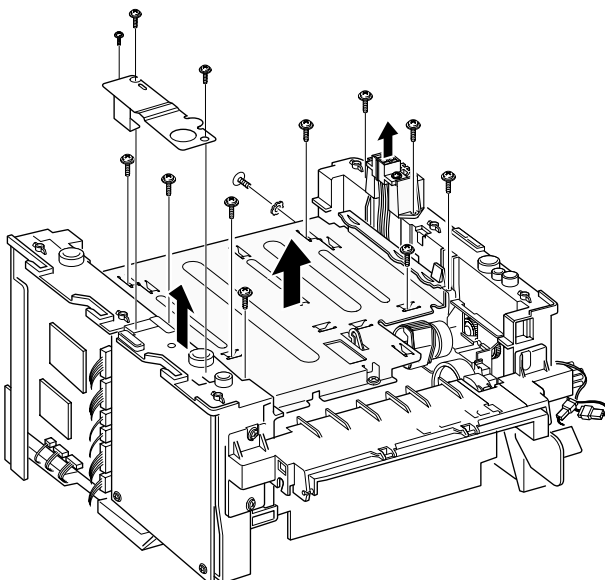
2. Remove six screws from the left and the right base bracket and take them out.



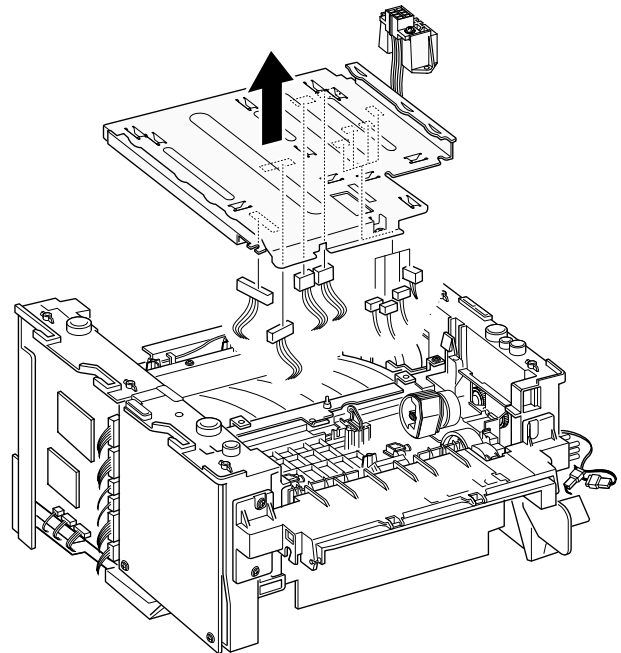
4. While you push the latch to release the PCU shield, take the PCU shield out of the printer.



3. Remove eight screws securing the PCU shield and remove two screws securing the SCF connector, and then take the PCU shield out of the printer.

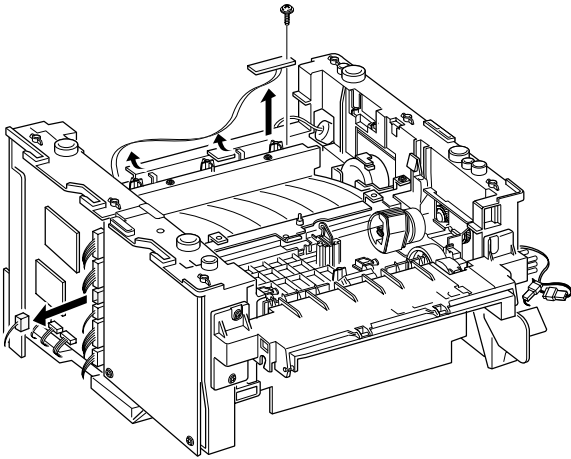


5. Unplug all connectors from the PCU shield, and remove the shield.



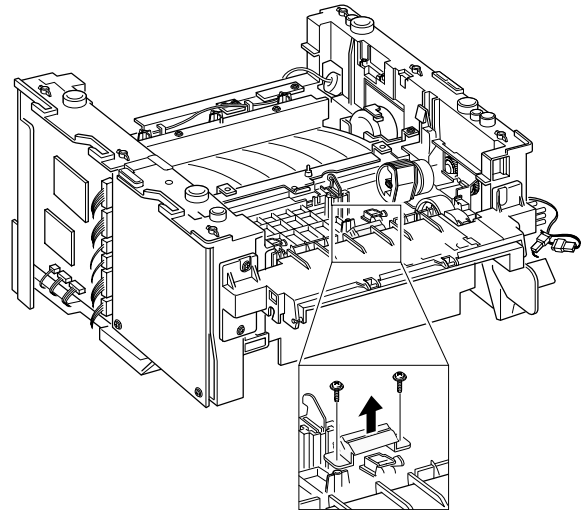
◆ To replace the exit board :

Unplug one connector from the controller board and remove one screw securing the board. Then release the wire from two holders and take the board out.



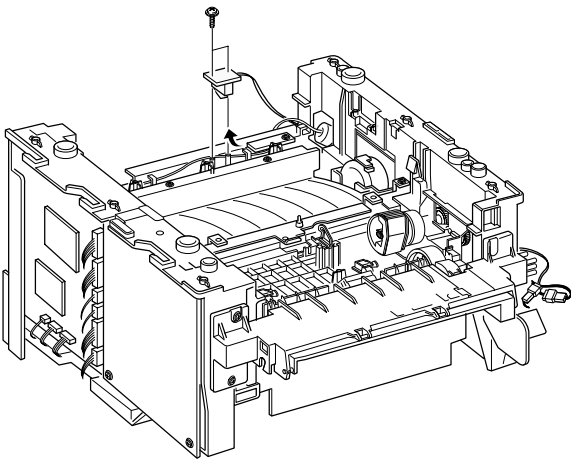
◆ To replace the Cap sensor :

Remove two screws and take it out.



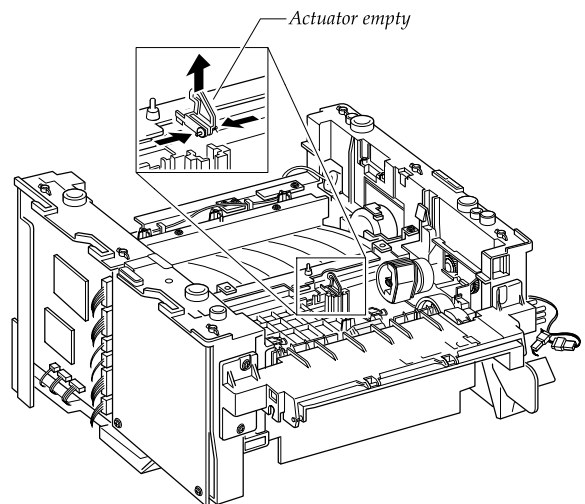
◆ To replace the fuser sensor :

Remove two screws and take it out.



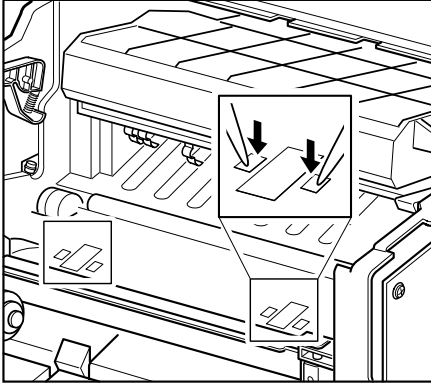
◆ To replace the actuator empty :

Take the sensor out while you squeeze the both ends of the sensor.

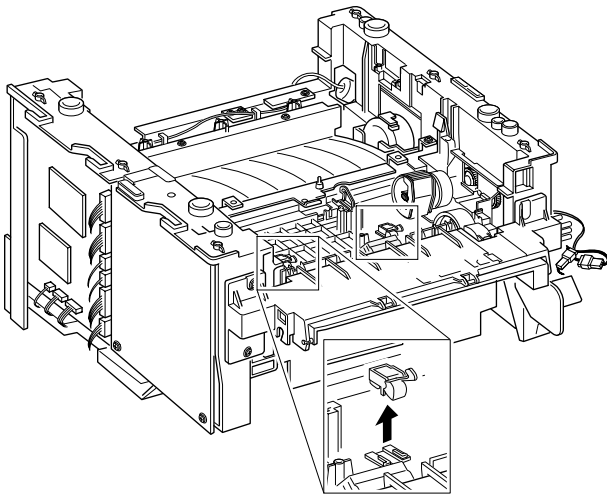


◆ To replace the actuator feed

1. Turn the mechanism back and push down the points as shown to unlatch the actuator feed.



2. Turn the unit over again, and remove the actuator feed.



◆ To remove the transfer guide :

Remove three screws and take the guide out.

